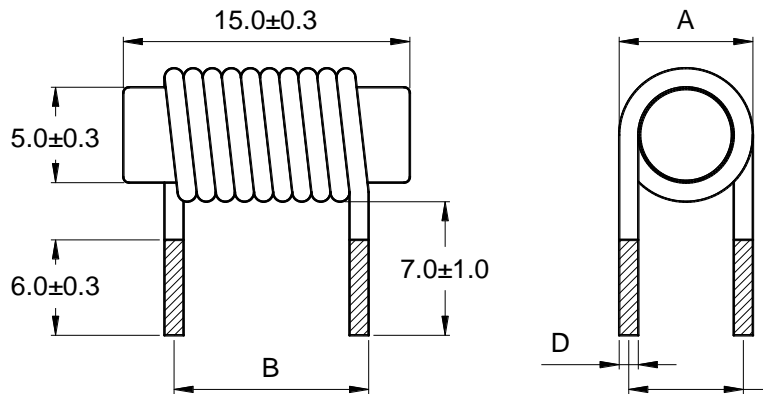




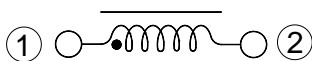
### Outline: 产品概要

- Use ferrite core, high frequency.  
铁氧体磁芯，工作频率高。
- Low DC resistance, high saturation current.  
低直流电阻，高饱和电流。
- Lead free product, RoHS compliant.  
无铅产品，符合 RoHS 指令。
- Widely used in switching power supply, power amplifier, output antenna, filter, displayer, UPS, and etc.  
广泛应用于开关电源，功率放大器，输出天线，滤波器，显示器，不间断电源等。
- Operating temperature :  $-40^{\circ}\text{C} \sim +125^{\circ}\text{C}$   
(Including coil's temperature rise)  
工作温度： $-40^{\circ}\text{C} \sim +125^{\circ}\text{C}$  (包含线圈发热)

### 1 Appearance and dimensions (mm) 外形尺寸



### 2 Schematic 原理图



Part No. 品名	A	B	C	D
	Max	$\pm 1.0$	$\pm 0.5$	$\pm 0.15$
RAR0515-2R0M	7.80	12.50	6.15	1.10
RAR0515-3R3M	7.30	13.50	5.95	0.90
RAR0515-4R7M	6.90	12.50	5.75	0.70
RAR0515-5R0M	6.80	11.50	5.70	0.65
RAR0515-6R8M	6.70	13.00	5.65	0.60
RAR0515-8R2M	6.80	11.50	5.55	0.50
RAR0515-100M	6.80	13.50	5.55	0.50

**3 Electrical characteristics**

**电气特性**

Part No. 品名	Inductance (μH) 电感值 ※1 ±20%	D.C.R. (mΩ) 直流电阻		Saturation current (A) 饱和电流 ※2 Typical	Temperature rise current (A) 温升电流 ※3 Typical
		Typical	Max		
RAR0515-2R0M	2.00	4.14	5.38	18.0	14.6
RAR0515-3R3M	3.30	7.60	9.90	15.0	10.8
RAR0515-4R7M	4.70	14.1	18.3	12.5	7.90
RAR0515-5R0M	5.00	15.2	19.8	10.2	7.60
RAR0515-6R8M	6.80	22.0	28.6	10.0	6.30
RAR0515-8R2M	8.20	33.0	43.0	9.50	5.20
RAR0515-100M	10.0	36.6	47.6	8.50	4.90

■ All data is tested based on 25°C ambient temperature.  
所有数据基于环境温度 25°C条件下测试。

※1 Inductance measure condition at 1kHz, 0.25V.  
电感测试条件为 1kHz, 0.25V。

※2 Saturation current: the actual value of DC current when the inductance decrease 20% of its initial value.  
饱和电流: 电感值下降其初始值的 20%时所加载的实际直流电流值。

※3 Temperature rise current: the actual value of DC current when the temperature rise is ΔT40°C(Ta=25°C).  
温升电流: 使产品温度上升到 ΔT40°C时所加载的实际直流电流值(Ta=25°C)。

※ Special remind: Circuit design, component placement, PWB size and thickness, cooling system and etc. all will affect the product temperature. Please verify the product temperature in the final application.  
特别提醒: 线路设计, 组件布局, 印刷电路板(PWB)尺寸及厚度, 散热系统等均会影响产品温度。  
请务必在最终应用时, 验证产品发热状况。

**4 Saturation current VS temperature rise current curve  
饱和电流 VS 温升电流曲线**

