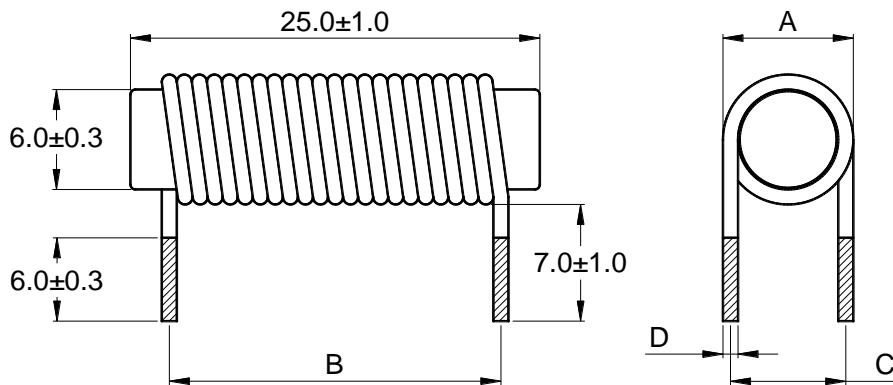


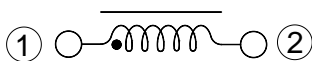
Outline: 产品概要

- Use ferrite core, high frequency.
铁氧体磁芯，工作频率高。
- Low DC resistance, high saturation current.
低直流电阻，高饱和电流。
- Lead free product, RoHS compliant.
无铅产品，符合 RoHS 指令。
- Widely used in switching power supply, power amplifier, output antenna, filter, display, UPS, and etc.
广泛应用于开关电源，功率放大器，输出天线，滤波器，显示器，不间断电源等。
- Operating temperature : -40°C ~ +125°C
(Including coil's temperature rise)
工作温度：-40°C ~ +125°C (包含线圈发热)

1 Appearance and dimensions (mm) 外形尺寸



2 Schematic 原理图



Part No. 品名	A	B	C	D
	Max	±1.0	±0.5	±0.15
RAR0625-3R0M	10.00	19.50	7.75	1.70
RAR0625-3R8M	9.80	22.00	7.65	1.60
RAR0625-4R7M	9.50	21.00	7.45	1.40
RAR0625-5R0M	9.20	19.50	7.35	1.30
RAR0625-6R8M	9.00	22.00	7.25	1.20
RAR0625-8R2M	8.50	19.50	7.05	1.00
RAR0625-100M	8.50	20.00	6.95	0.90
RAR0625-150M	8.00	19.00	6.75	0.70
RAR0625-220M	7.80	21.00	6.65	0.60

3 Electrical characteristics

电气特性

Part No. 品名	Inductance (μH) 电感值 ※1 ±20%	D.C.R. (mΩ) 直流电阻		Saturation current (A) 饱和电流 ※2 Typical	Temperature rise current (A) 温升电流 ※3 Typical
		Typical	Max		
RAR0625-3R0M	3.00	2.18	2.84	20.0	28.4
RAR0625-3R8M	3.80	2.81	3.65	19.0	25.0
RAR0625-4R7M	4.70	3.86	5.02	17.0	21.3
RAR0625-5R0M	5.00	4.45	5.79	16.5	19.9
RAR0625-6R8M	6.80	6.33	8.23	14.5	16.7
RAR0625-8R2M	8.20	9.46	12.3	13.0	13.6
RAR0625-100M	10.0	13.8	17.9	12.0	11.3
RAR0625-150M	15.0	26.3	34.2	9.50	8.20
RAR0625-220M	22.0	43.4	56.4	8.00	6.40

■ All data is tested based on 25°C ambient temperature.
所有数据基于环境温度 25°C条件下测试。

※1 Inductance measure condition at 1kHz, 0.25V.
电感测试条件为 1kHz, 0.25V。

※2 Saturation current: the actual value of DC current when the inductance decrease 20% of its initial value.
饱和电流: 电感值下降其初始值的 20%时所加载的实际直流电流值。

※3 Temperature rise current: the actual value of DC current when the temperature rise is ΔT40°C(Ta=25°C).
温升电流: 使产品温度上升到 ΔT40°C时所加载的实际直流电流值(Ta=25°C)。

※ Special remind: Circuit design, component placement, PWB size and thickness, cooling system and etc. all will affect the product temperature. Please verify the product temperature in the final application.
特别提醒: 线路设计, 组件布局, 印刷线路板(PWB)尺寸及厚度, 散热系统等均会影响产品温度。
请务必在最终应用时, 验证产品发热状况。

**4 Saturation current VS temperature rise current curve
饱和电流 VS 温升电流曲线**

