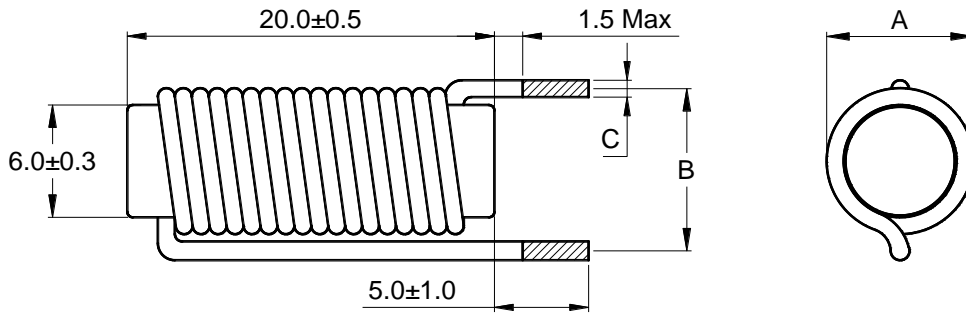


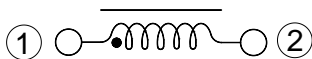
**Outline:
产品概要**

- Use ferrite core, high frequency.
铁氧体磁芯，工作频率高。
- Low DC resistance, high saturation current.
低直流电阻，高饱和电流。
- Lead free product, RoHS compliant.
无铅产品，符合 RoHS 指令。
- Widely used in switching power supply, power amplifier, output antenna, filter, displayer, UPS, and etc.
广泛应用于开关电源，功率放大器，输出天线，滤波器，显示器，不间断电源等。
- Operating temperature : -40°C ~ +125°C
(Including coil's temperature rise)
工作温度：-40°C ~ +125°C (包含线圈发热)

**1 Appearance and dimensions (mm)
外形尺寸**



**2 Schematic
原理图**



Part No. 品名	A	B	C
	Max	±1.0	±0.15
RKR0620-2R0M	9.80	13.50	1.60
RKR0620-3R3M	9.00	11.50	1.20
RKR0620-4R7M	8.50	10.50	1.00
RKR0620-6R8M	8.30	10.50	0.90
RKR0620-8R2M	8.20	10.00	0.80
RKR0620-100M	8.00	10.00	0.70
RKR0620-150M	7.50	8.50	0.50

**3 Electrical characteristics
电气特性**

Part No. 品名	Inductance (μH) 电感值 ※1 ±20%	D.C.R. (mΩ) 直流电阻		Saturation current (A) 饱和电流 ※2 Typical	Temperature rise current (A) 温升电流 ※3 Typical
		Typical	Max		
RKR0620-2R0M	2.00	2.30	3.00	21.0	27.5
RKR0620-3R3M	3.30	4.73	6.14	18.0	19.2
RKR0620-4R7M	4.70	7.73	10.0	15.5	15.0
RKR0620-6R8M	6.80	11.2	14.6	13.0	12.4
RKR0620-8R2M	8.20	16.0	20.8	11.5	10.6
RKR0620-100M	10.0	23.3	30.3	10.0	8.70
RKR0620-150M	15.0	48.0	62.4	8.50	6.00

■ All data is tested based on 25°C ambient temperature.
所有数据基于环境温度 25°C条件下测试。

※1 Inductance measure condition at 1kHz, 0.25V.
电感测试条件为 1kHz, 0.25V。

※2 Saturation current: the actual value of DC current when the inductance decrease 20% of its initial value.
饱和电流: 电感值下降其初始值的 20%时所加载的实际直流电流值。

※3 Temperature rise current: the actual value of DC current when the temperature rise is ΔT40°C(Ta=25°C).
温升电流: 使产品温度上升到 ΔT40°C时所加载的实际直流电流值(Ta=25°C)。

※ Special remind: Circuit design, component placement, PWB size and thickness, cooling system and etc. all will affect the product temperature. Please verify the product temperature in the final application.
特别提醒: 线路设计, 组件布局, 印刷电路板(PWB)尺寸及厚度, 散热系统等均会影响产品温度。
请务必在最终应用时, 验证产品发热状况。

**4 Saturation current VS temperature rise current curve
饱和电流 VS 温升电流曲线**

