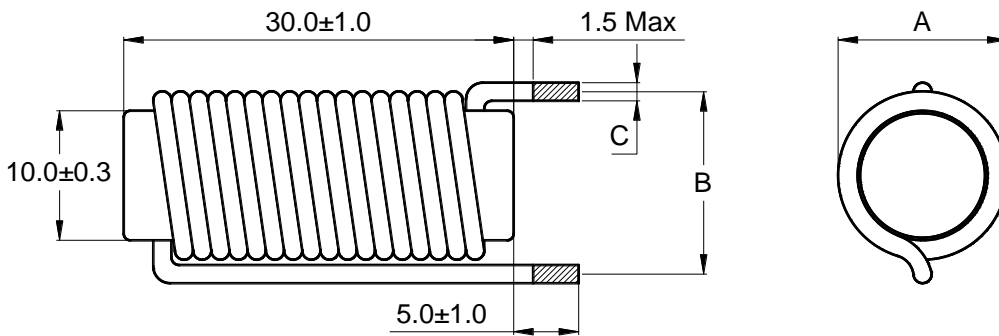




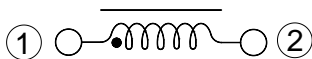
### Outline: 产品概要

- Low cost design, use ferrite cores.  
低成本设计，使用铁氧体磁芯。
- Low DC Resistance and high saturation current.  
低直流电阻和高饱和电流。
- Lead free products, RoHS compliant.  
低无铅产品，符合 RoHS 指令。
- Widely used in Power Supplier/Power amplifiers/  
Switching power supplies/Output antenna and other  
filters/Monitors/TV Sets/UPS, etc.  
广泛应用于电源供应器，功率放大器，开关电源，输出  
天线和其它过滤器，监视器，电视机和不间断电源等。
- Operating temperature : -40°C ~ +125°C  
(Including coil's temperature rise)  
工作温度：-40°C ~ +125°C (包含线圈发热)

### 1 Appearance and dimensions (mm) 外形尺寸



### 2 Schematic 原理图



Part No. 品名	A	B	C
	Max	$\pm 1.0$	$\pm 0.15$
RKR1030-8R2M	17.50	13.7	1.60
RKR1030-100M	16.00	13.2	1.30
RKR1030-150M	15.00	12.7	1.10
RKR1030-220M	14.50	12.5	1.00

**3 Electrical characteristics**

**电气特性**

Part No. 品名	Inductance (μH) 电感值 ※1 ±20%	D.C.R. (mΩ) 直流电阻		Saturation current (A) 饱和电流 ※2 Typical	Temperature rise current (A) 温升电流 ※3 Typical
		Typical	Max		
RKR1030-8R2M	8.20	5.16	6.70	31.0	21.6
RKR1030-100M	10.0	8.16	10.60	28.0	17.2
RKR1030-150M	15.0	14.25	18.52	23.5	13.0
RKR1030-220M	22.0	21.12	27.45	19.5	10.7

■ All data is tested based on 25°C ambient temperature.  
所有数据基于环境温度 25°C条件下测试。

※1 Inductance measure condition at 1kHz, 0.25V.  
电感测试条件为 1kHz, 0.25V。

※2 Saturation current: the actual value of DC current when the inductance decrease 20% of its initial value.  
饱和电流: 电感值下降其初始值的 20%时所加载的实际直流电流值。

※3 Temperature rise current: the actual value of DC current when the temperature rise is ΔT40°C(Ta=25°C).  
温升电流: 使产品温度上升到 ΔT40°C时所加载的实际直流电流值(Ta=25°C)。

※ Special remind: Circuit design, component placement, PWB size and thickness, cooling system and etc. all will affect the product temperature. Please verify the product temperature in the final application.  
特别提醒: 线路设计, 组件布局, 印刷电路板(PWB)尺寸及厚度, 散热系统等均会影响产品温度。  
请务必在最终应用时, 验证产品发热状况。

**4 Saturation current VS temperature rise current curve  
饱和电流 VS 温升电流曲线**

